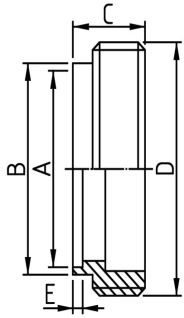
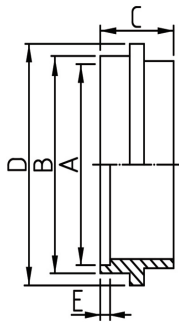


WELDING MALE PART MACON



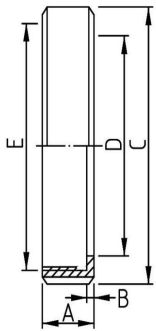
DN	A mm	B mm	C mm	D mm	E mm	kg	AISI 304/1.4301 Art.-Nr.	AISI 316L/1.4404 Art.-Nr.2
43	43.30	46.30	22.00	M55x3	3.00	0.11	101840-43	101870-43
53	53.30	56.30	22.00	M67x3	3.00	0.21	101840-53	101870-53
63	63.30	66.30	22.00	M79x3,5	3.00	0.27	101840-63	101870-63
73	73.30	76.30	22.00	M90x3,5	3.00	0.31	101840-73	101870-73
83	83.30	86.30	22.00	M102x4	3.00	0.42	101840-83	101870-83
103	104.20	108.00	22.00	M125x4	6.00	0.51	101840-103	101870-103

WELDING LINER MACON



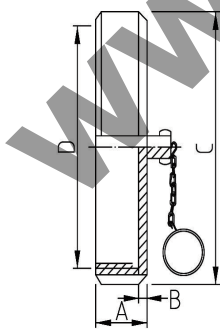
DN	A mm	B mm	C mm	D mm	E mm	kg	AISI 304/1.4301 Art.-Nr.	AISI 316L/1.4404 Art.-Nr.2
43	43.30	46.30	22.00	50.00	3.00	0.06	104840-43	104870-43
53	53.30	56.30	22.00	62.50	3.00	0.10	104840-53	104870-53
63	63.30	66.30	22.00	73.50	3.00	0.13	104840-63	104870-63
73	73.30	76.30	22.00	85.00	3.00	0.15	104840-73	104870-73
83	83.30	86.30	22.00	96.00	3.00	0.17	104840-83	104870-83
103	104.20	108.00	22.00	119.00	6.00	0.25	104840-103	104870-103

NUT MACON



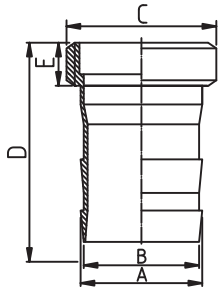
DN	A mm	B mm	C mm	D mm	E mm	kg	AISI 304/1.4301 Art.-Nr.	AISI 316L/1.4404 Art.-Nr.2
43	25.00	4.00	70.00	47.00	M55*P3.0	0.25	107840-43	
53	25.00	4.00	80.00	57.00	M67*P3.0	0.28	107840-53	
63	25.00	4.00	95.00	67.00	M79*P3.0	0.37	107840-63	
73	25.00	4.00	106.00	77.00	M90*P3.5	0.51	107840-73	
83	25.00	4.00	118.00	90.00	M102*P4.0	0.65	107840-83	
103	26.00	4.00	139.00	112.00	M125*P4.0	0.80	107840-103	

BLIND NUT WITH BOSS AND CHAIN MACON



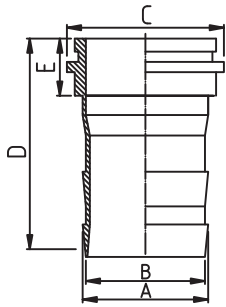
DN	A mm	B mm	C mm	D mm	E mm	kg	AISI 304/1.4301 Art.-Nr.	AISI 316L/1.4404 Art.-Nr.2
43	25.00	4.00	70.00	M55*P3.0		0.33	109840-43	
53	25.00	4.00	80.00	M67*P3.0		0.37	109840-53	
63	25.00	4.00	95.00	M79*P3.5		0.50	109840-63	
73	25.00	4.00	106.00	M90*P3.5		0.62	109840-73	
83	25.00	4.00	118.00	M102*P4.0		0.80	109840-83	
103	26.00	4.00	139.00	M125*P4.0		1.05	109840-103	

MALE HOSE FITTING MACON



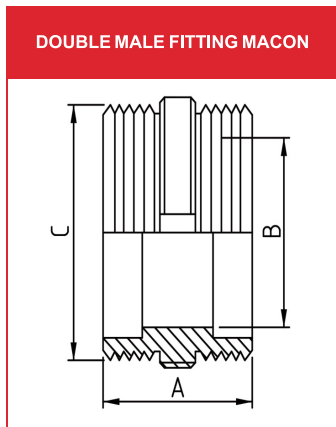
DN	A mm	B mm	C mm	D mm	E mm	kg	AISI 304/1.4301 Art.-Nr.	AISI 316L/1.4404 Art.-Nr.2
43	43.60	40.00	84.00	M55x3		0.21	151840-43	151870-43
53	53.60	50.00	97.00	M67x3		0.26	151840-53	151870-53
63	63.50	59.90	115.00	M79x3,5		0.32	151840-63	151870-63
73	76.20	72.60	122.00	M90x3,5		0.42	151840-73	151870-73

LINER HOSE FITTING MACON

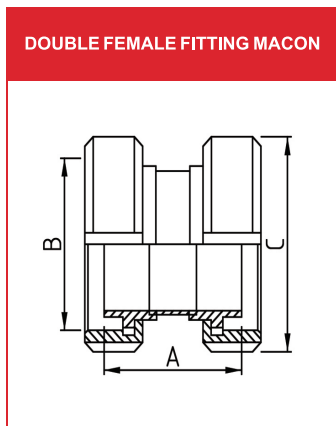


DN	A mm	B mm	C mm	D mm	E mm	kg	AISI 304/1.4301 Art.-Nr.	AISI 316L/1.4404 Art.-Nr.2
43	43.60	40.00	84.00	50		0.12	152840-43	152870-43
53	53.60	50.00	97.00	62.5		0.17	152840-53	152870-53
63	63.50	59.90	115.00	73.5		0.20	152840-63	152870-63
73	76.20	72.60	122.00	85		0.30	152840-73	152870-73

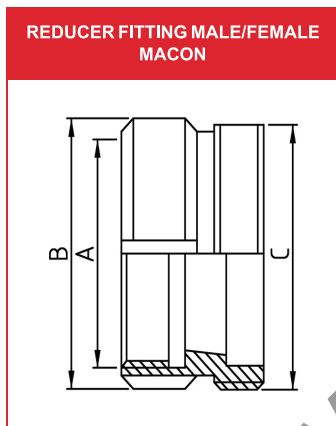
www.efitek-inox.com



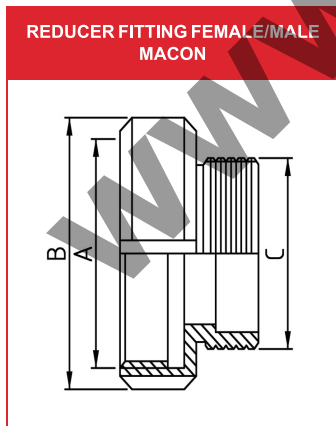
DN	A mm	B mm	C mm	D mm	E mm	kg	AISI 304/1.4301 Art.-Nr.	AISI 316L/1.4404 Art.-Nr.2
43	46.00	40.00	M55x3			0.22	112840-43	112870-43
53	46.00	50.00	M67x3			0.41	112840-53	112870-53
63	46.00	60.00	M79x3,5			0.54	112840-63	112870-63
73	46.00	70.00	M90x3,5			0.62	112840-73	112870-73



DN	A mm	B mm	C mm	D mm	E mm	kg	AISI 304/1.4301 Art.-Nr.	AISI 316L/1.4404 Art.-Nr.2
43	58.00	M55x3	70.00			0.62	113840-43	113870-43
53	58.00	M67x3	80.00			0.75	113840-53	113870-53
63	58.00	M79x3,5	95.00			0.99	113840-63	113870-63
73	58.00	M90x3,5	106.00			1.32	113840-73	113870-73

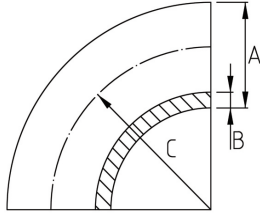


DN	A mm	B mm	C mm	D mm	E mm	kg	AISI 304/1.4301 Art.-Nr.	AISI 316L/1.4404 Art.-Nr.2
53/43	M55x3	80.00	M67x3			0.45	116840-5343	116870-5343
63/53	M67x3	95.00	M79x3,5			0.57	116840-6353	116870-6353
73/53	M67x3	106.00	M90x3,5			0.59	116840-7353	116870-7353
73/63	M79x3,5	106.00	M90x3,5			0.68	116840-7363	116870-7363



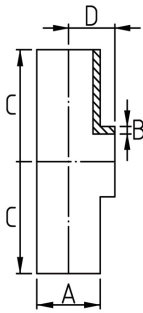
DN	A mm	B mm	C mm	D mm	E mm	kg	AISI 304/1.4301 Art.-Nr.	AISI 316L/1.4404 Art.-Nr.2
53/43	M67x3	80.00	M55x3			0.39	117840-5343	117870-5343
63/53	M79x3	95.00	M67x3			0.57	117840-6353	117870-6353
73/53	M90x3,5	106.00	M67x3			0.71	117840-7353	117870-7353
73/63	M90x3,5	106.00	M79x3,5			0.81	117840-7363	117870-7363

90° WELDING BEND MACON



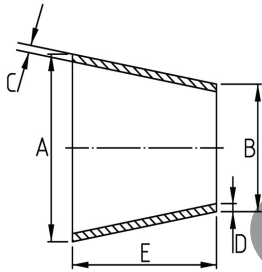
DN	A mm	B mm	C mm	D mm	E mm	kg	AISI 304/1.4301 Art.-Nr.	AISI 316L/1.4404 Art.-Nr.2
43	43.00	1.50	60.00			0.11	301840-43	301870-43
53	53.00	1.50	70.00			0.17	301840-53	301870-53
63	63.50	1.50	95.25			0.31	301840-63	301870-63
73	73.00	2.00	95.00			0.56	301840-73	301870-73
83	84.00	2.00	120.00			0.75	301840-83	301870-83
103	104.00	2.00	150.00			1.30	301840-103	301870-103

WELDING SHORT TEE MACON

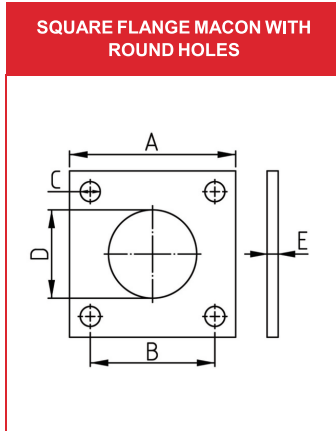


DN	A mm	B mm	C mm	D mm	E mm	kg	AISI 304/1.4301 Art.-Nr.	AISI 316L/1.4404 Art.-Nr.2
43	43.00	1.50	47.50			0.14	331840-43	331870-43
53	53.00	1.50	57.00			0.21	331840-53	331870-53
63	63.50	1.50	63.50			0.27	331840-63	331870-63
73	73.00	2.00	76.00			0.38	331840-73	331870-73
83	84.00	2.00	85.50			0.64	331840-83	331870-83
103	104.00	2.00	105.00			0.96	331840-103	331870-103

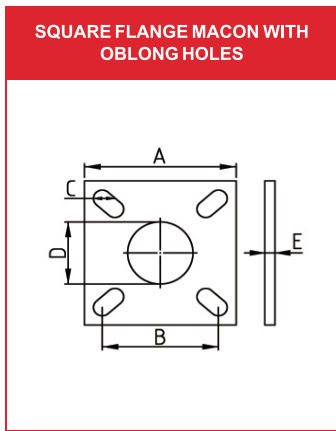
CONCENTRIC REDUCER MACON



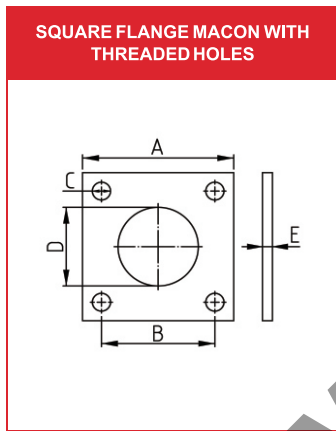
DN	A mm	B mm	C mm	D mm	E mm	kg	AISI 304/1.4301 Art.-Nr.	AISI 316L/1.4404 Art.-Nr.2
53-43	53.00	43.00	1.50	1.50	30.00	0.06	341840-5343	341870-5343
63-43	63.00	43.00	1.50	1.50	60.00	0.13	341840-6343	341870-6343
63-53	63.00	53.00	1.50	1.50	30.00	0.07	341840-6353	341870-6353
73-43	73.00	43.00	1.50	1.50	90.00	0.38	341840-7343	341870-7343
73-53	73.00	53.00	1.50	1.50	60.00	0.20	341840-7353	341870-7353
73-63	73.00	63.00	1.50	1.50	30.00	0.11	341840-7363	341870-7363
83-53	84.00	53.00	2.00	1.50	90.00	0.32	341840-8353	341870-8353
83-63	84.00	63.00	2.00	1.50	60.00	0.23	341840-8363	341870-8363
84-73	84.00	73.00	2.00	2.00	30.00	0.17	341840-8373	341870-8373
104-73	104.00	73.00	2.00	2.00	90.00	0.41	341840-10473	341870-10473
104-84	104.00	84.00	2.00	2.00	60.00	0.29	341840-10484	341870-10484



DN	A mm	B mm	C mm	D mm	E mm	kg	AISI 304/1.4301 Art.-Nr.	AISI 316L/1.4404 Art.-Nr.2
43	100.00	75.00	11.00	43.00	6.00	0.43	209840-43	209870-43
53	100.00	75.00	11.00	53.00	6.00	0.41	209840-53	209870-53
63	120.00	82.00	13.00	63.00	8.00	0.74	209840-63	209870-63
73	120.00	90.00	13.00	73.00	8.00	0.70	209840-73	209870-73
83	140.00	102.00	13.00	83.00	8.00	0.93	209840-83	209870-83
103	140.00	102.00	13.00	103.00	8.00	0.75	209840-103	209870-103



DN	A mm	B mm	C mm	D mm	E mm	kg	AISI 304/1.4301 Art.-Nr.	AISI 316L/1.4404 Art.-Nr.2
43	100.00	60-75	13.00	43.00	6.00	0.43	207840-43	207870-43
53	100.00	60-75	13.00	53.00	6.00	0.41	207840-53	207870-53
63	120.00	70-82	13.00	63.00	8.00	0.74	207840-63	207870-63
73	120.00	82-90	13.00	73.00	8.00	0.70	207840-73	207870-73
83	140.00	90-102	13.00	83.00	8.00	0.93	207840-83	207870-83
103	140.00	90-102	13.00	103.00	8.00	0.75	207840-103	207870-103

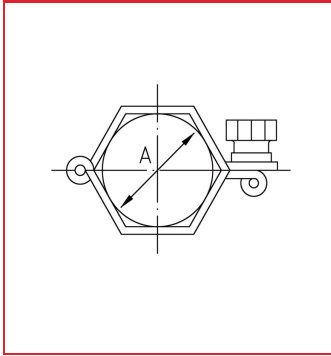


DN	A mm	B mm	C mm	D mm	E mm	kg	AISI 304/1.4301 Art.-Nr.	AISI 316L/1.4404 Art.-Nr.2
43	100.00	75.00	M10	43.00	8.00	0.55	208840-43	208870-43
53	100.00	75.00	M10	53.00	8.00	0.53	208840-53	208870-53
63	120.00	82.00	M12	63.00	10.00	0.92	208840-63	208870-63
73	120.00	90.00	M12	73.00	10.00	0.88	208840-73	208870-73
83	140.00	102.00	M12	83.00	10.00	1.16	208840-83	208870-83
103	140.00	102.00	M12	103.00	10.00	0.95	208840-103	208870-103

www.efitekinox.com

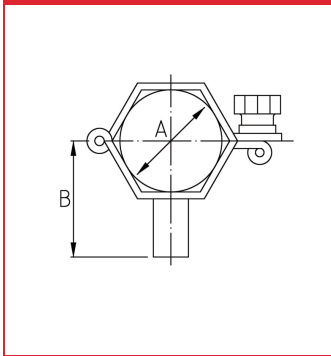
MAÇON

HEXAGONAL PIPE HANGER WITHOUT SHANK MACON



DN	A mm	B mm	C mm	D mm	E mm	kg	AISI 304/1.4301 Art.-Nr.	AISI 316L/1.4404 Art.-Nr.2
43	43.00					0.09	363840-43	
53	53.00					0.11	363840-53	
63	63.50					0.13	363840-63	
73	73.00					0.16	363840-73	
83	83.00					0.17	363840-83	
103	104.00					0.22	363840-103	

HEXAGONAL PIPE HANGER WITH SHANK MACON



DN	A mm	B mm	C mm	D mm	E mm	kg	AISI 304/1.4301 Art.-Nr.	AISI 316L/1.4404 Art.-Nr.2
43	43.00	100.00				0.14	364840-43	
53	53.00	100.00				0.16	364840-53	
63	63.50	100.00				0.18	364840-63	
73	73.00	100.00				0.20	364840-73	
83	83.00	100.00				0.21	364840-83	
103	104.00	100.00				0.25	364840-103	

www.efitek-inox.com